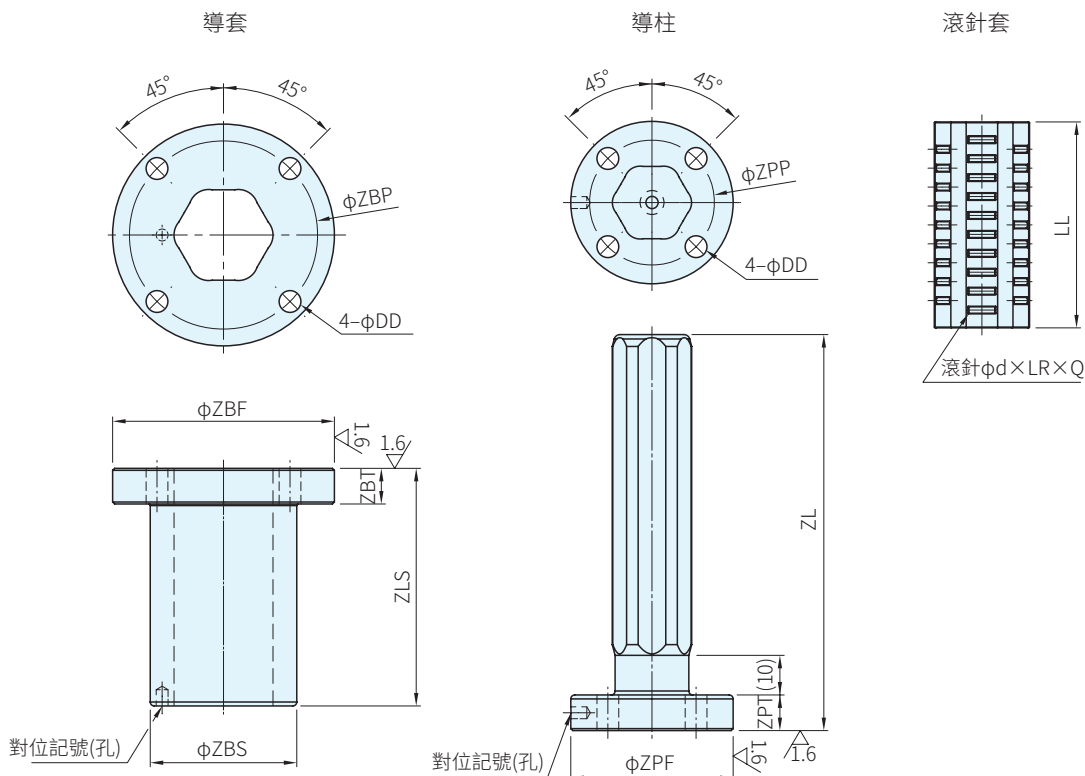




| 導柱  |          | 導套  |          | 滾針  |          |
|-----|----------|-----|----------|-----|----------|
| 材質  | 硬度       | 材質  | 硬度       | 材質  | 硬度       |
| 特殊鋼 | HRC60~63 | 特殊鋼 | HRC60~63 | 特殊鋼 | HRC60~63 |



| 品號     | 導柱              |           |            |       |      |          | 導套        |     |      |                  |      |      | 滾針套  |          |           |         |     |
|--------|-----------------|-----------|------------|-------|------|----------|-----------|-----|------|------------------|------|------|------|----------|-----------|---------|-----|
|        | ZL<br>0<br>-0.3 | 有效行程      | ZPF<br>h7  | ZPT   | ZPP  | 導柱<br>形狀 | ZBF<br>h7 | ZBS | ZBP  | ZLS<br>0<br>-0.3 | ZBT  | DD   | LL   | d<br>滾針徑 | LR<br>滾針長 | Q<br>數量 |     |
| GNZF6  | 30~60           | 5mm<br>指定 | 10         | 18.0  | 3.5  | 12.0     | 四方        | 23  | 13   | 18.0             | 25   | 3.5  | 2.8  | 20       | 1.5       | 3.5     | 20  |
| GNZF9  | 50~90           |           | 10         | 22.8  | 5.0  | 15.3     |           | 32  | 17   | 24.5             | 30   | 5.0  | 3.4  | 25       | 1.5       | 4.8     | 26  |
| GNZF12 | 50~120          |           | 20         | 30.0  | 7.0  | 22.0     |           | 六方  | 40   | 23               | 32.0 | 40   | 7.0  | 4.4      | 30        | 2.0     | 4.8 |
| GNZF16 | 80~140          |           | 20         | 36.0  | 9.0  | 27.0     | 四方        | 48  | 30   | 39.5             | 40   | 9.0  | 5.5  | 30       | 2.0       | 6.8     | 24  |
| GNZF20 | 80~140          |           | 16         | 41.0  | 9.0  | 31.5     | 六方        | 56  | 37   | 47.5             | 60   | 9.0  | 5.5  | 52       | 2.0       | 6.8     | 57  |
| GNZF25 | 100~210         |           | 16         | 48.0  | 12.0 | 37.0     |           | 67  | 44   | 56.0             | 70   | 12.0 | 6.5  | 62       | 2.0       | 7.8     | 69  |
| GNZF28 | 100~210         |           | 18         | 51.0  | 12.0 | 40.0     |           | 70  | 47   | 59.0             | 75   | 12.0 | 6.5  | 66       | 2.5       | 7.8     | 57  |
| GNZF30 | 100~210         |           | 20         | 53.0  | 13.0 | 42.0     |           | 73  | 50   | 62.0             | 78   | 13.0 | 6.5  | 68       | 2.5       | 7.8     | 57  |
| GNZF35 | 120~220         |           | 24         | 58.0  | 13.0 | 47.0     |           | 82  | 58   | 71.0             | 86   | 13.0 | 6.5  | 74       | 2.5       | 9.8     | 69  |
| GNZF40 | 120~220         |           | 28         | 70.0  | 15.0 | 56.0     |           | 97  | 68   | 83.5             | 92   | 15.0 | 8.5  | 78       | 3.0       | 9.8     | 75  |
| GNZF50 | 160~250         |           | 28         | 82.0  | 15.0 | 68.0     | 107       | 78  | 93.5 | 96               | 15.0 | 8.5  | 82   | 3.0      | 11.8      | 78      |     |
| GNZF60 | 160~250         |           | 10mm<br>指定 | 8     | 97.0 | 18.0     | 80.0      | 134 | 95   | 117.0            | 120  | 18.0 | 11.0 | 116      | 4.0       | 13.8    | 84  |
| GNZF80 | 180~300         | 30        |            | 124.0 | 20.0 | 105.0    | 八方        | 164 | 120  | 145.0            | 145  | 20.0 | 13.0 | 130      | 4.0       | 13.8    | 124 |

訂貨：  -  交期：請洽詢

GNZF6 - 50